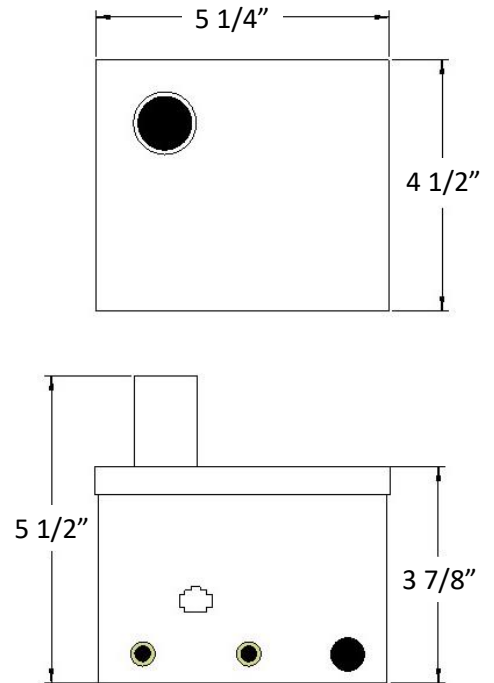
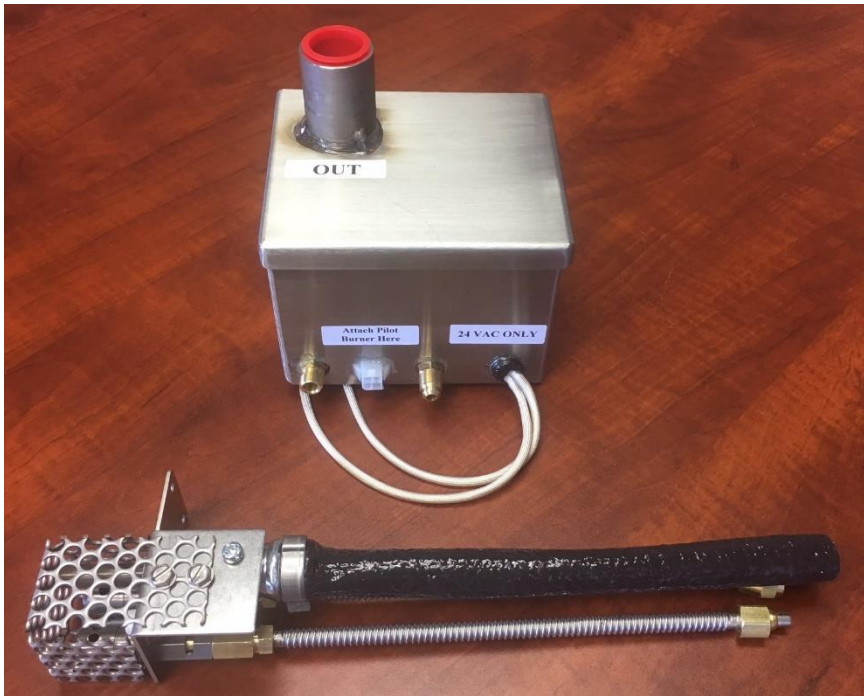


Specifications for AWEIS HCG

(All Weather Electronic Ignition System – High Commercial Grade)

New & Improved “Commercial Grade” Design



New “Dual Pilot Gas Technology” which prolongs life of Igniter considerably

Maximum Gas Output: 510K Btu/hr

Control Box Dimensions: 4 1/2" x 5 1/4" x 5 1/2" (W x L x H)

Standard Pilot Burner Configuration: (1) Pilot Burner

Inlet / Outlet Size: 3/4" FIP

Electrical Rating: 24vac or 12vac

Flame / Heat Sense: Thermopile

Ignition Type: Silicon Nitride Hot Surface Ignition (Glow Plug)