

Remote Control Options

(Smartphone Options)

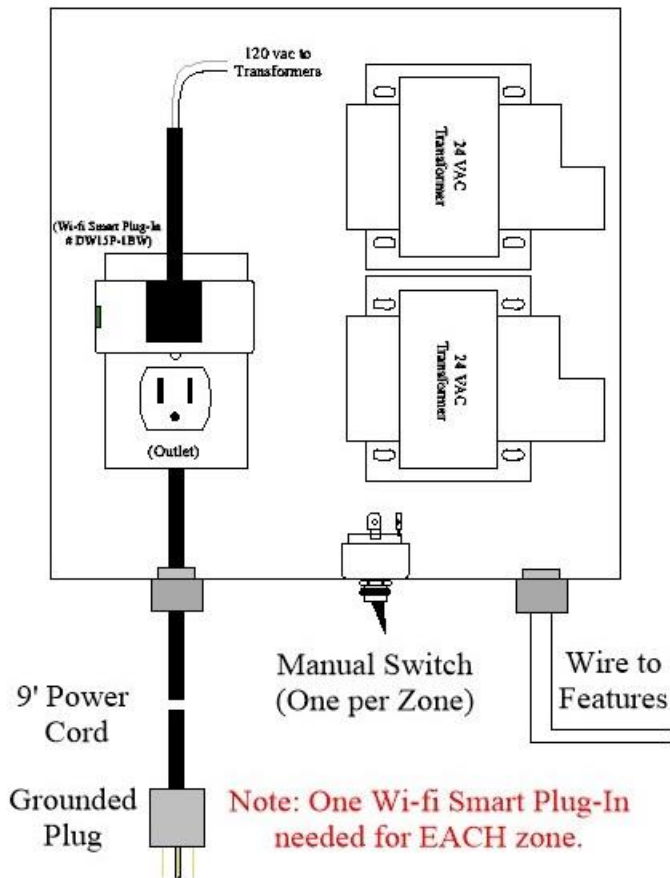
RC Kits - WiFi

- Control Features from anywhere
- Works with Alexa, Google, Nest, Samsung SmartThings, IFTTT and more
- All you need is WiFi – No Hub Required
- Easy Setup – Download Leviton App, set up an account and follow the instructions. (See link at bottom of page)
- Manual Switches provided in case WiFi Network is not operating.

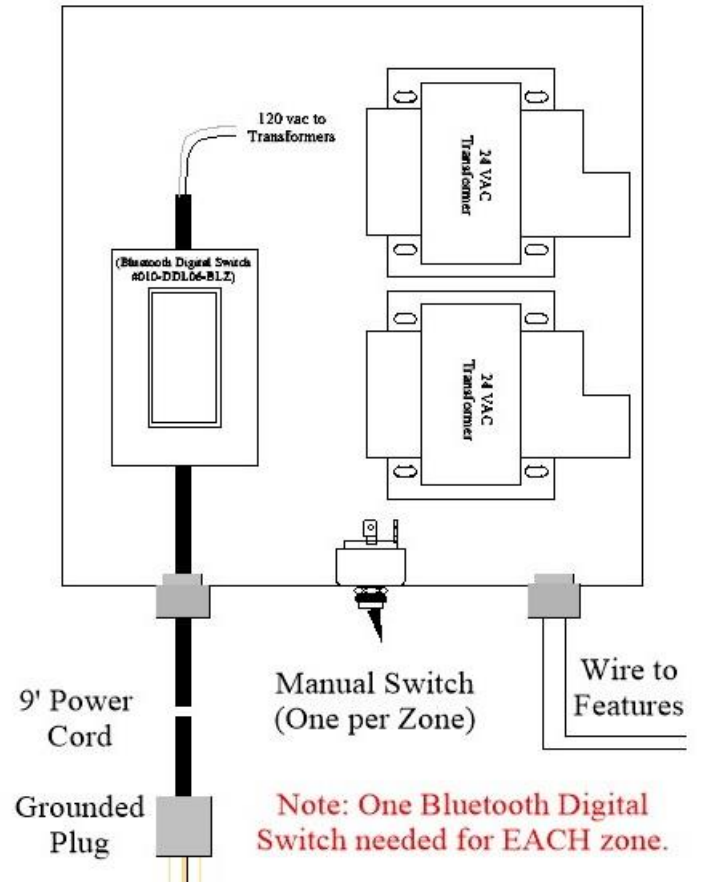
RC Kits - Bt

- No Hub Required
- Easy Setup – Download Leviton App, set up an account and follow the instructions. (See link at bottom of page)
- Typical Bluetooth Range of 30 feet.
- Manual Switches provided in case Bluetooth is not operating.

Wi-fi / Part # RC Kits-Wifi



Bluetooth / Part # RC Kits:Bt



Links to the Instructions for the WiFi and Bluetooth Modules shown above

WiFi Smart Plug-In: <https://www.leviton.com/en/docs/DI-000-DW15P-02A-W.pdf>

Bluetooth Digital Switch: https://www.leviton.com/en/docs/DDL06-BLZ_Instruction_Sheet_English.pdf

(Wireless Controls Options)

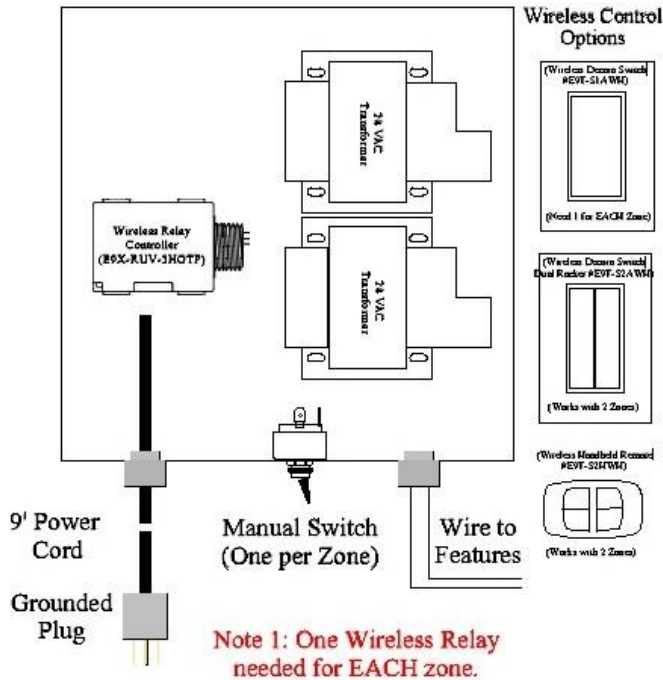
RC Kits - 2 Zone

- Controlled by way of 4 Button Wireless Handheld Remote, Wireless Switch or Wireless Dual Rocker Switch (See Illustration below)
- Unlimited Wireless Switches may be used to control the feature from multiple locations within 150 feet of the feature.
- Manual Switches provided in case Wireless Controls are not operating.

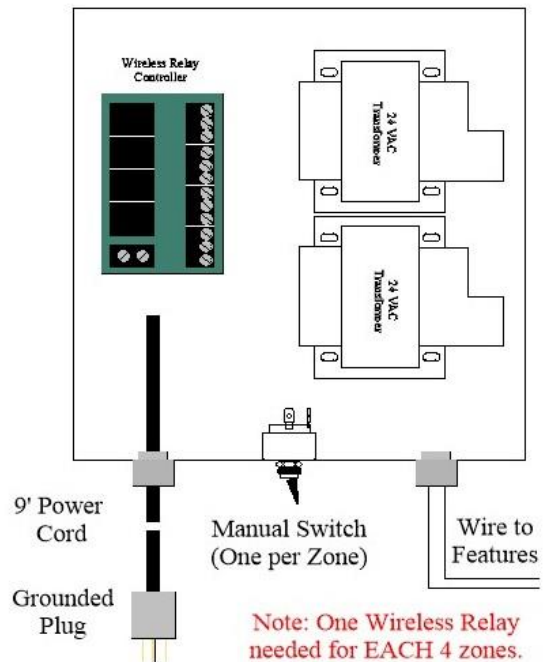
RC Kits - 4 Zone

- Controlled by way of 4 Button Key Chain Handheld Remote.
- Can control up to 4 zones
- Typical Range of 150 feet.
- Manual Switches provided in case Wireless Controls are not operating.

Handheld Remote/Wall Switch
(2 Zones Max. per Switch/Handheld)
Part # RC Kits:2 Zone



Handheld Remote
(4 Zones Max. per Handheld)
Part # RC Kits:4 Zone



**Note 2: Unlimited Wireless
3 Way Switch Capability.**

**Note 3: Wireless Range
of Switches = 150'**