



RC Kit Specification

Range: 200' (Line of Site)

Controller /
Relay Board

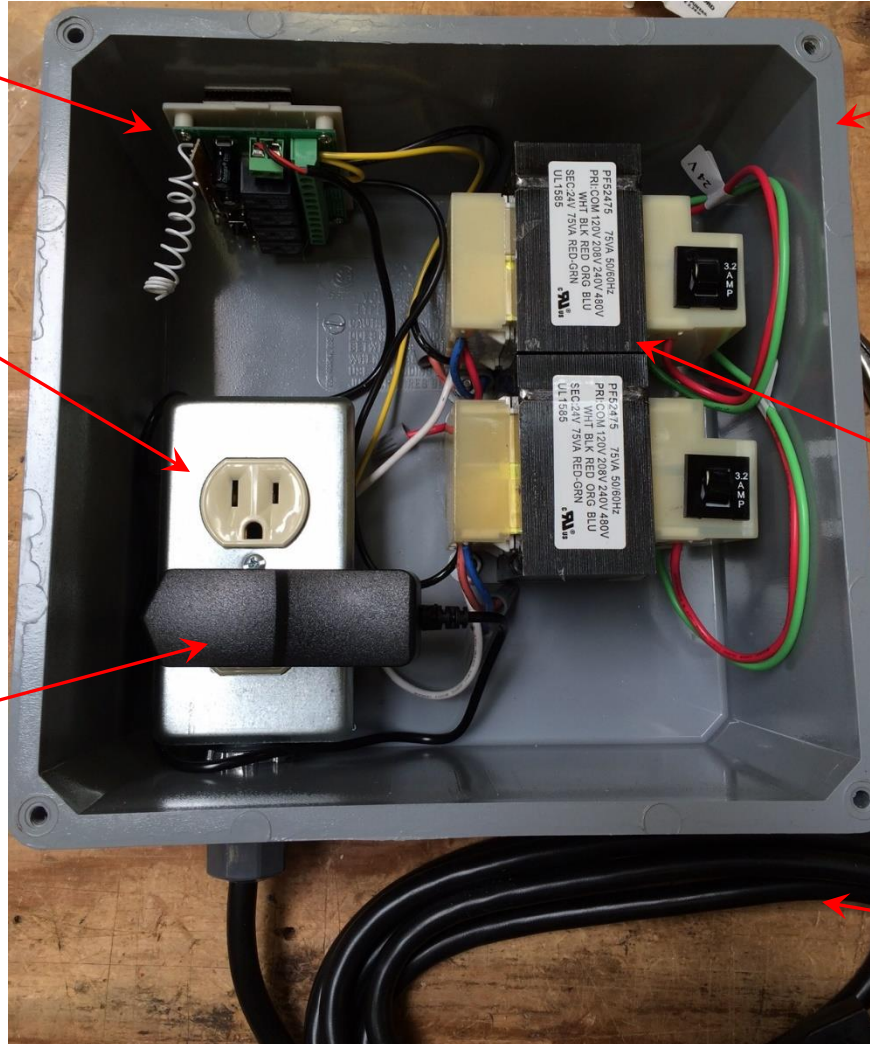
Weatherproof
Junction Box (PVC)

120 VAC
Outlet

24 VAC Transformers
For Fire Features

Power Source
For controller

Plug In
Power Cord



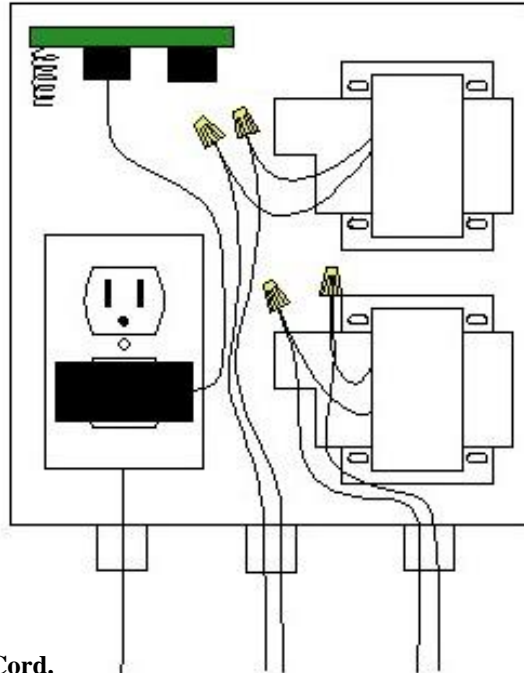
Handheld Remote Control (2)



RC Kit Electrical Information

Note

The Square Box below is an 8" x 8" Weatherproof Junction Box
Larger boxes to hold more transformers are available



Zones

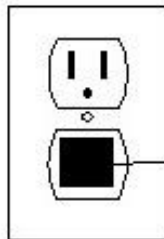
Up to 4 "Zones" can be turned
On / Off Independent of one another

Example

- (1) Firepit in Zone 1
- (6) Tiki Torches in Zone 2
- (2) Fire Bowls in Zone 3
- (1) Fireplace in Zone 4

Note

The RC Kit comes with a Power Cord.
The Power Cord can be removed and the
RC Kit can be hardwired to 120 Volts AC



24 Volts AC To Zone 1 24 Volts AC To Zone 2

Note

Recommend No Less Than
12 gauge wire for all wire runs

Transformer Options

- (1) 50 Watt will power (1) AWEIS / SUBEIS
- (1) 75 Watt will power (2) Tiki Torches / Vulcans
- (1) 100 Watt will power (2) AWEIS / SUBEIS or (3) Tiki Torches